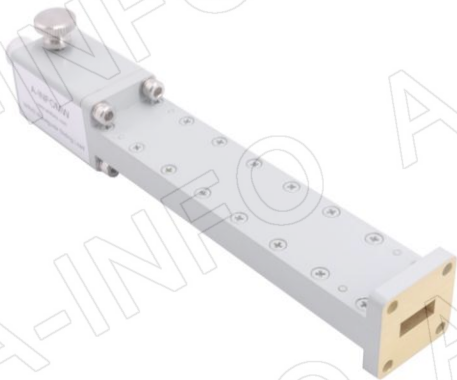
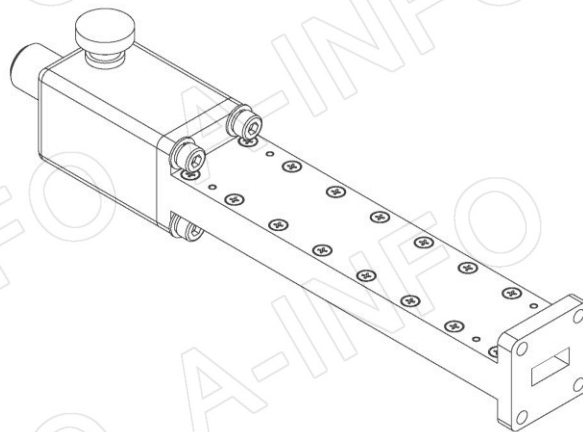
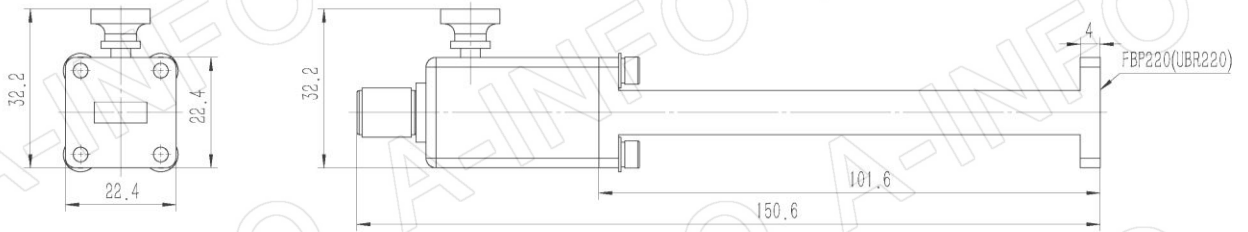


Technical Specification



EIA WG	WR42
Frequency Range(GHz)	18.0 – 26.5
VSWR	1.025:1 Max.
Average Power(W CW)	0.5
Peak Power(KW)	0.5
Flange	FBP220(UBR220)
Material	Cu
Size(mm)	150.6 x 22.4 x 32.2
Net Weight(Kg)	0.31 Around

Outline Drawing (Size: mm)



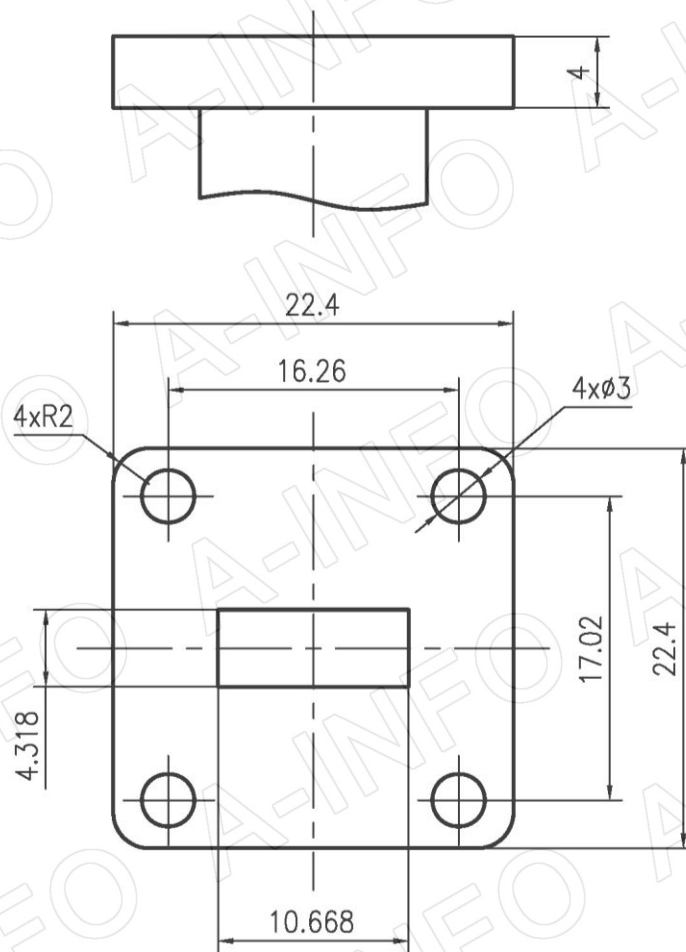
AINFO Inc.

China(Beijing): Tel: (+86) 10-6266-7326,
China(Chengdu): Tel: (+86) 28-8519-2786,
USA: Tel: (+1) 949-639-9688,

Page 1 of 5
(+86) 10-6266-7327 Fax: (+86) 10-6266-7379
(+86) 28-8519-3044 Fax: (+86) 28-8519-3068
(+1) 949-639-9608 Fax: (+1) 949-639-9670

Website: www.ainfoinc.com
Email: sales@ainfoinc.com

Flange Drawing



FBP220

AINFO Inc.

China(Beijing): Tel: (+86) 10-6266-7326,
China(Chengdu): Tel: (+86) 28-8519-2786,
USA: Tel: (+1) 949-639-9688,

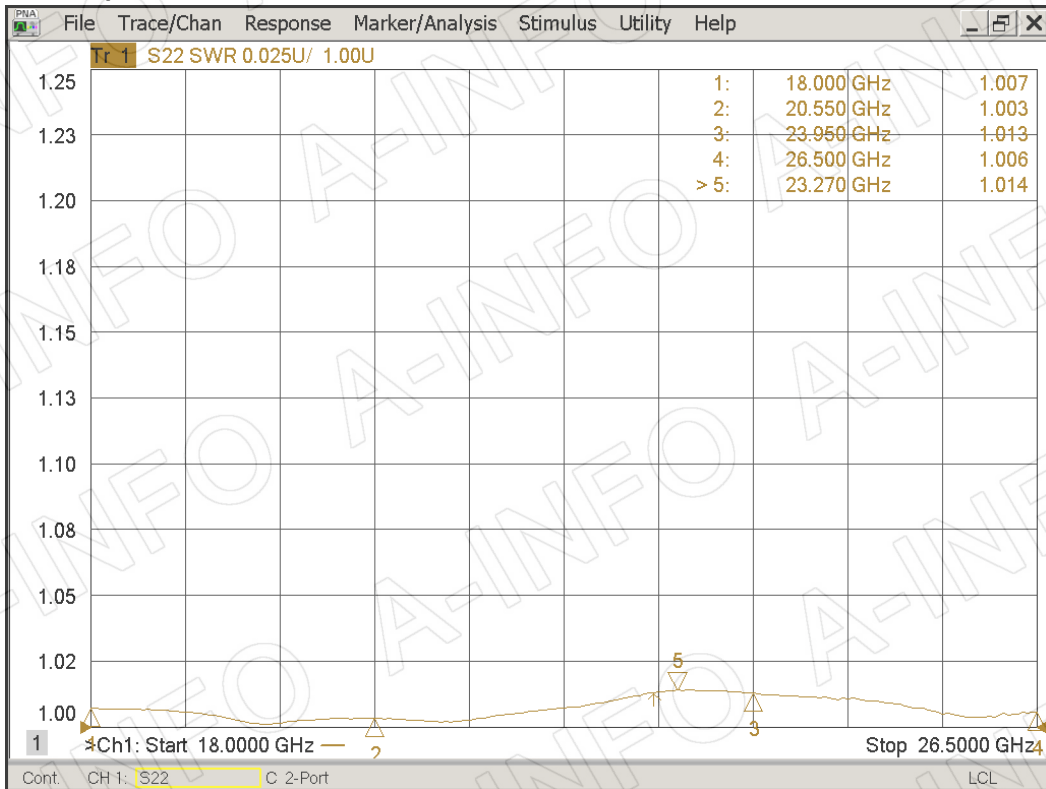
Page 2 of 5

(+86) 10-6266-7327 Fax: (+86) 10-6266-7379
(+86) 28-8519-3044 Fax: (+86) 28-8519-3068
(+1) 949-639-9608 Fax: (+1) 949-639-9670

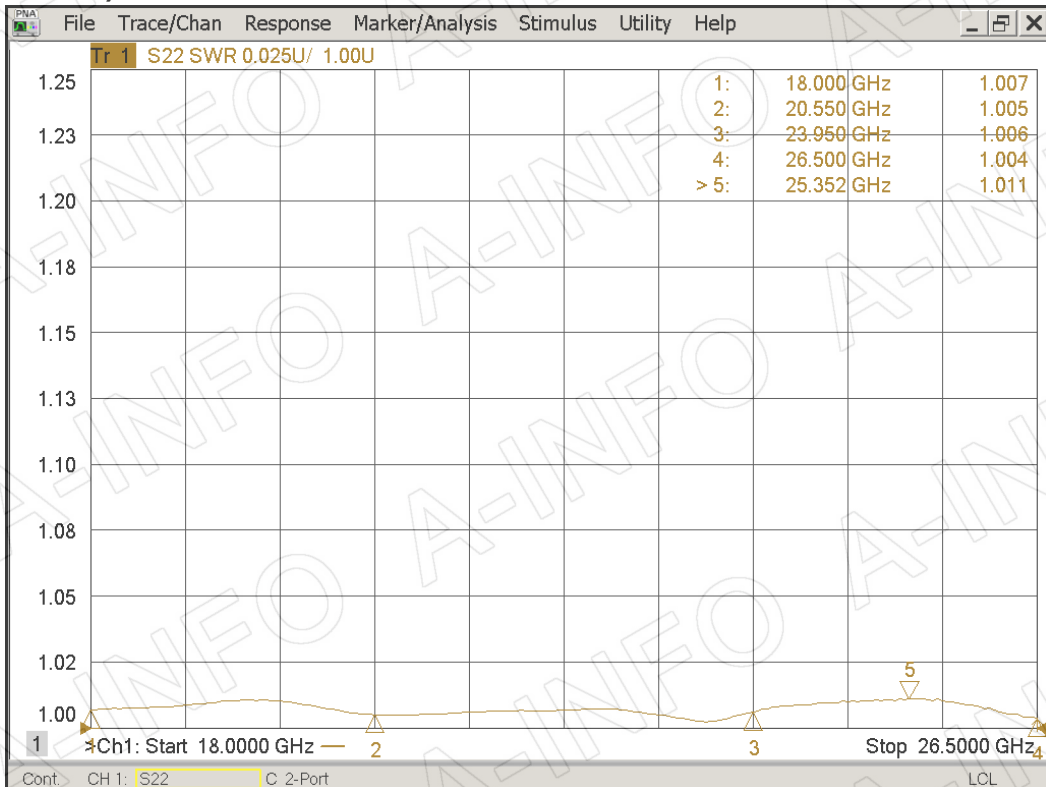
Website: www.ainfoinc.com
Email: sales@ainfoinc.com

Test Results

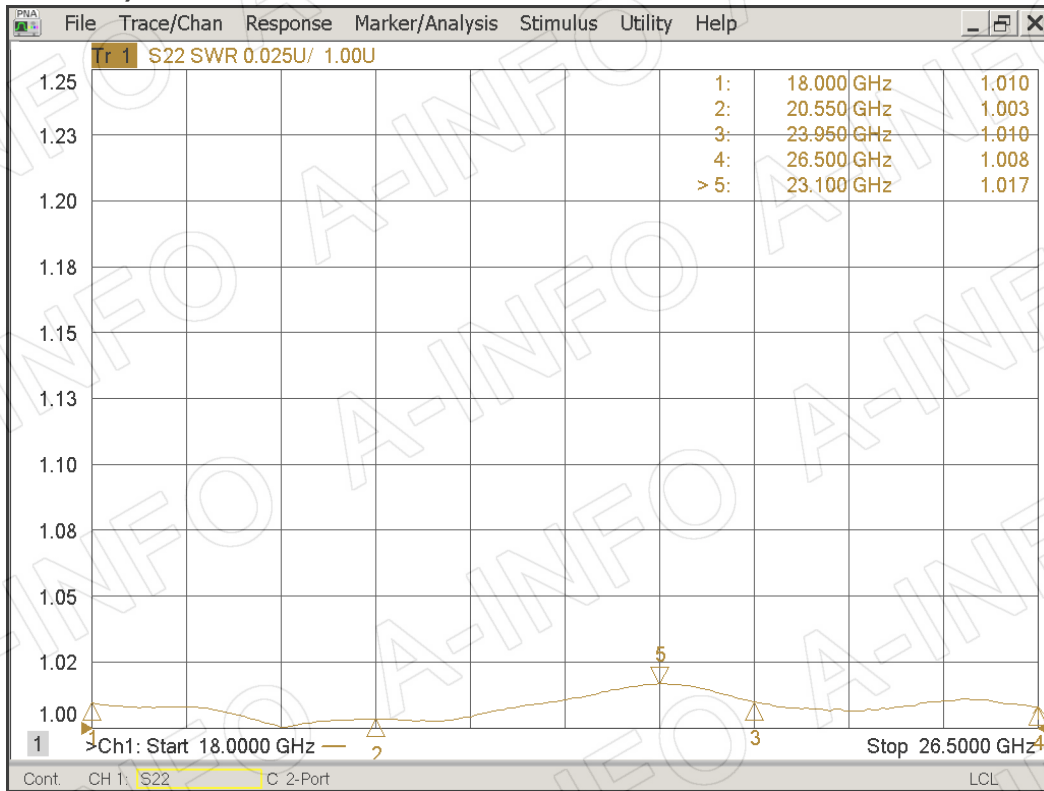
VSWR (at 0 mm)



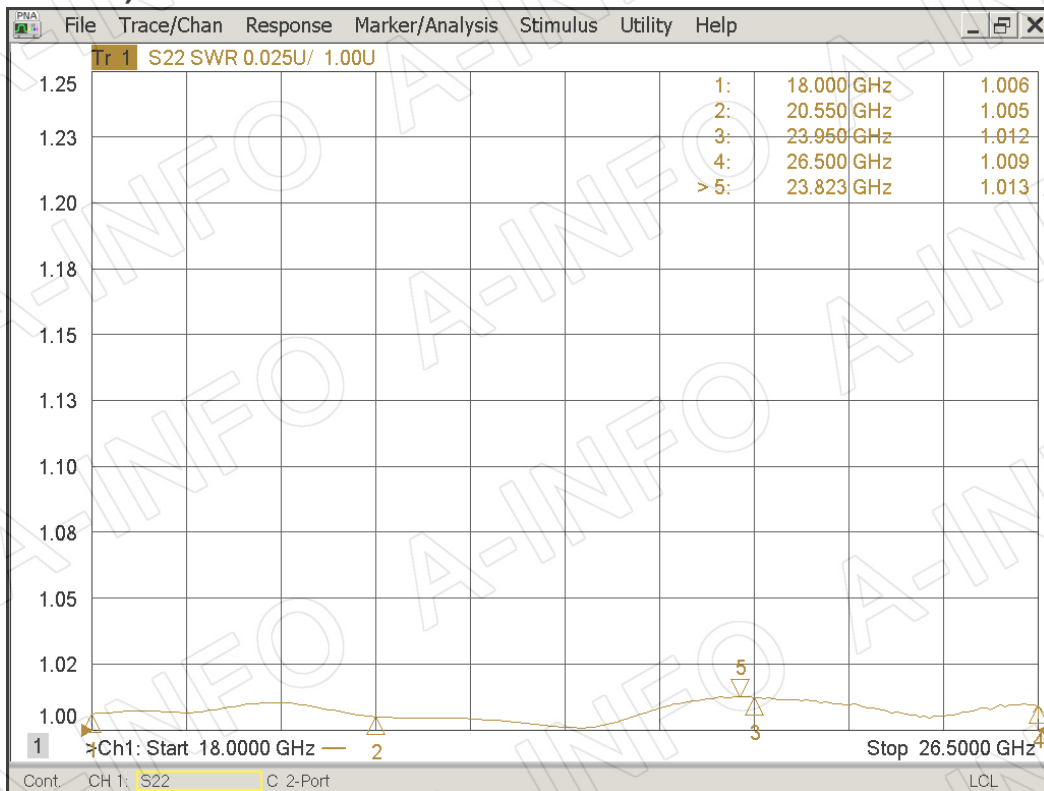
VSWR (at 5 mm)



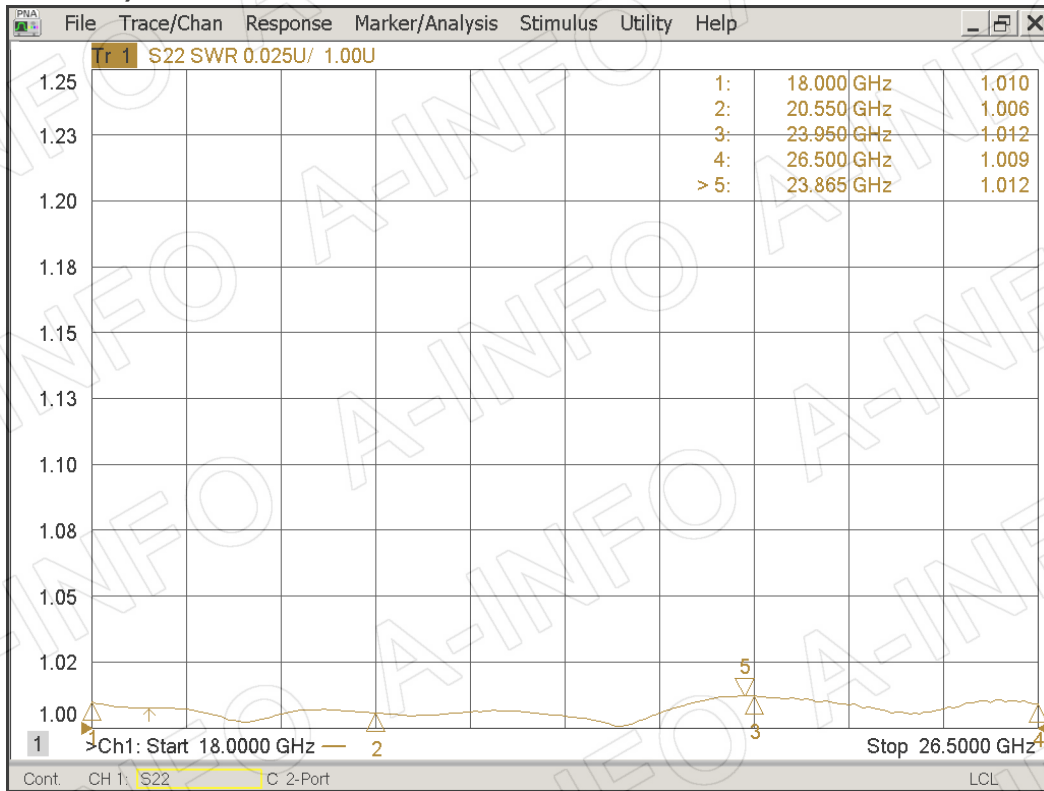
VSWR (at 10 mm)



VSWR (at 15 mm)



VSWR (at 20 mm)



VSWR (at 23 mm)

